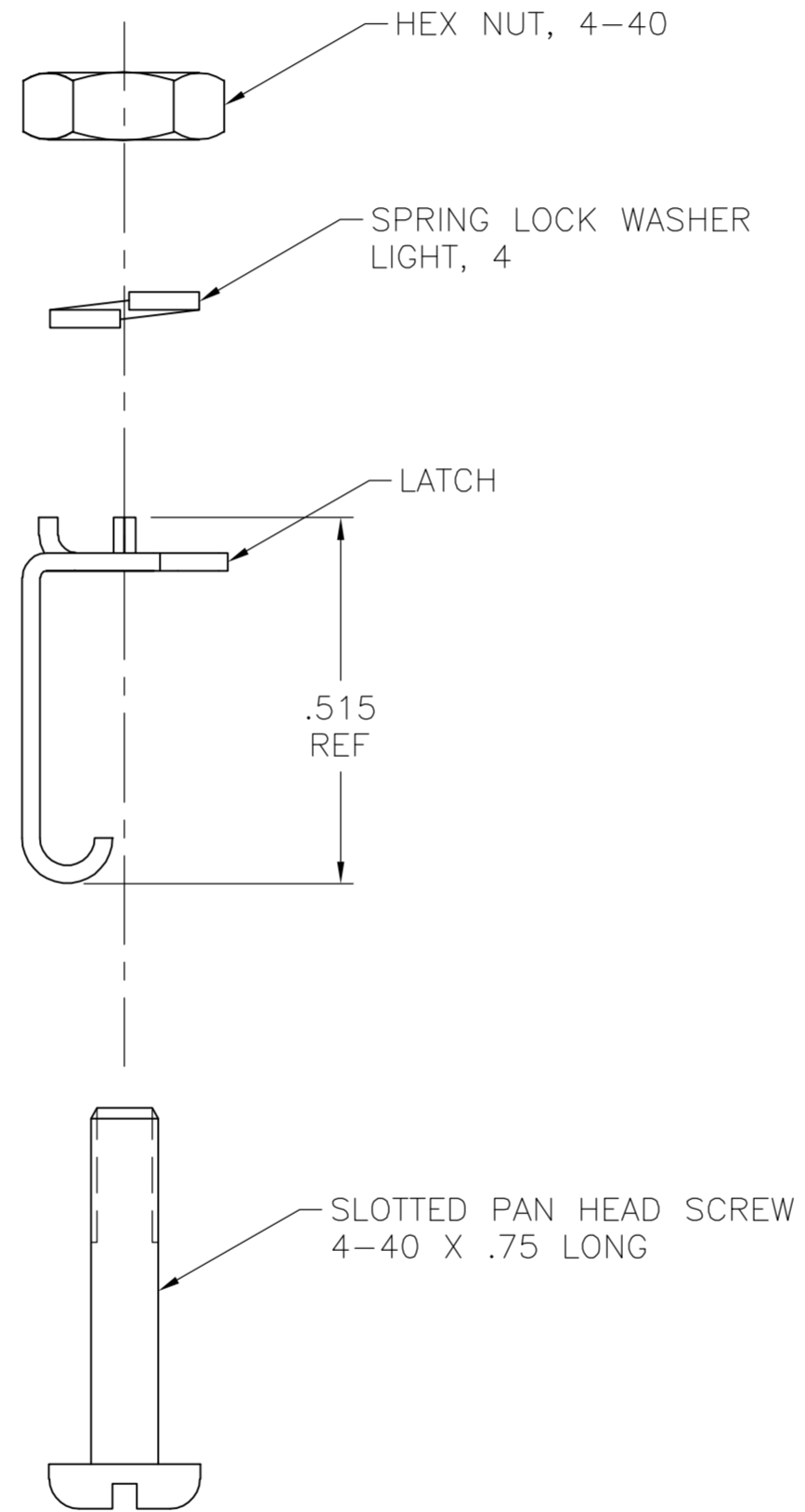
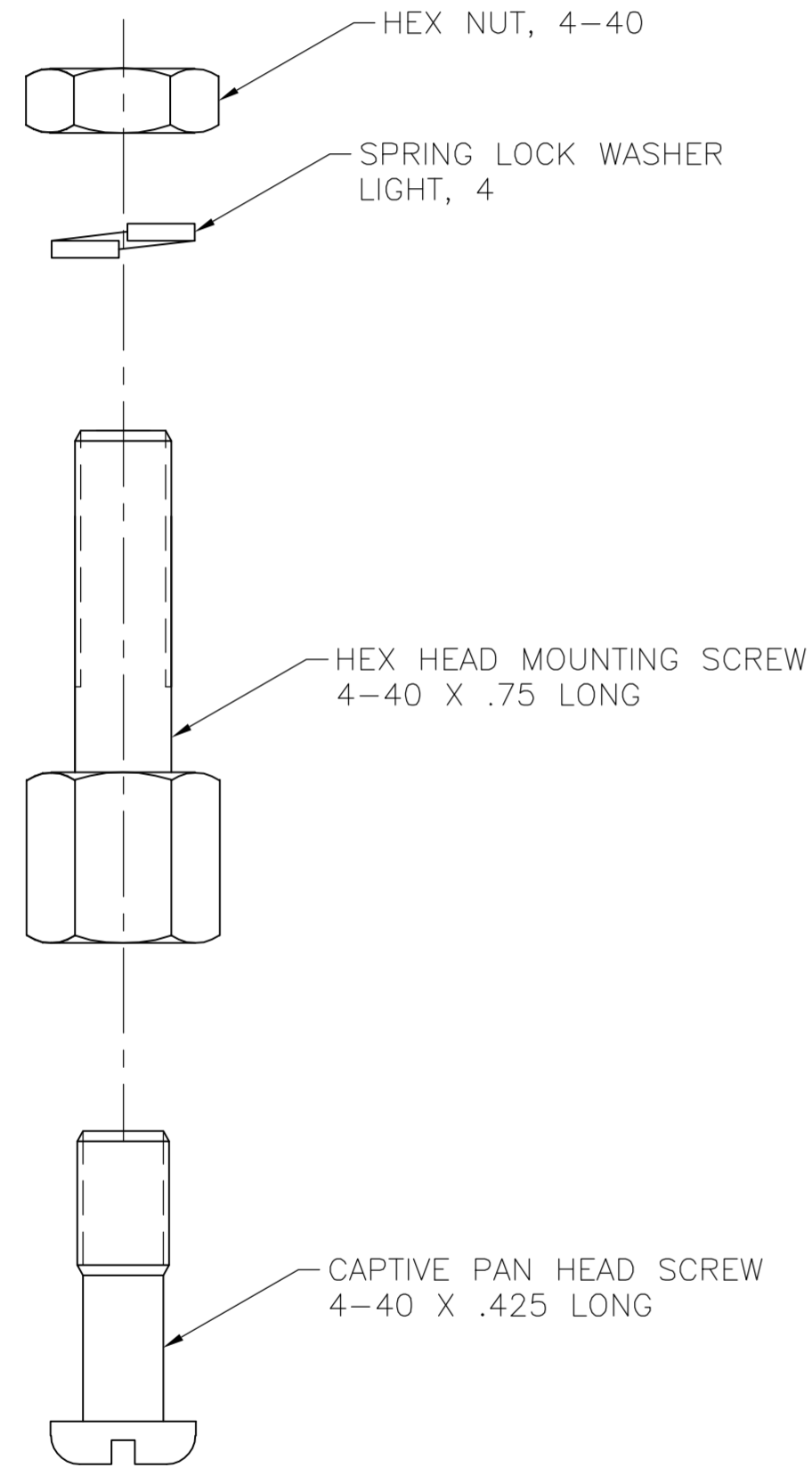


THIS DRAWING IS UNPUBLISHED. RELEASED FOR PUBLICATION
 © COPYRIGHT BY TYCO ELECTRONICS CORPORATION. ALL RIGHTS RESERVED.

LOC	DIST	REVISIONS			
P	LTR	DESCRIPTION	DATE	DWN	APVD
GP	00	0	RELEASED PER EC 0513-0288-05	30SEP05	BM WM

1 MATERIAL:
 CAPTIVE PAN HEAD SCREW: ZINC PLATED STEEL.
 HEX HEAD SCREW: BRASS WITH CHROME PLATE.
 ALL OTHER HARDWARE: PASSIVATED STAINLESS STEEL.



5552690-1
 PART NUMBER

THIS DRAWING IS A CONTROLLED DOCUMENT.		DWN B. MCMASTER 30SEP05	tyco Tyco Electronics Corporation	
DIMENSIONS: INCHES		CHK W. MILLHIMES 30SEP05	Harrisburg, PA 17105-3608	
TOLERANCES UNLESS OTHERWISE SPECIFIED:		APVD W. MILLHIMES 30SEP05	NAME HARDWARE KIT, VERTICAL MOUNTING CHAMP	
0 PLC ± -		PRODUCT SPEC	SIZE A2	CAGE CODE 00779
1 PLC ± -		APPLICATION SPEC	DRAWING NO C=5552690	RESTRICTED TO
2 PLC ± -		WEIGHT -	SCALE 4:1	SHEET 1 of 1
3 PLC ± -		MATERIAL 1	REV 0	
4 PLC ± -		FINISH 1		
ANGLES ± -		CUSTOMER DRAWING		